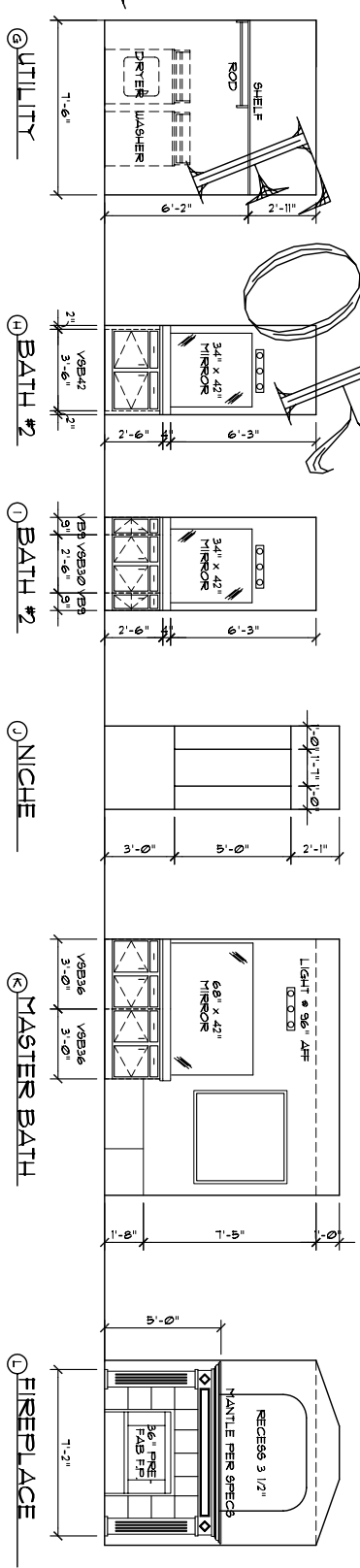
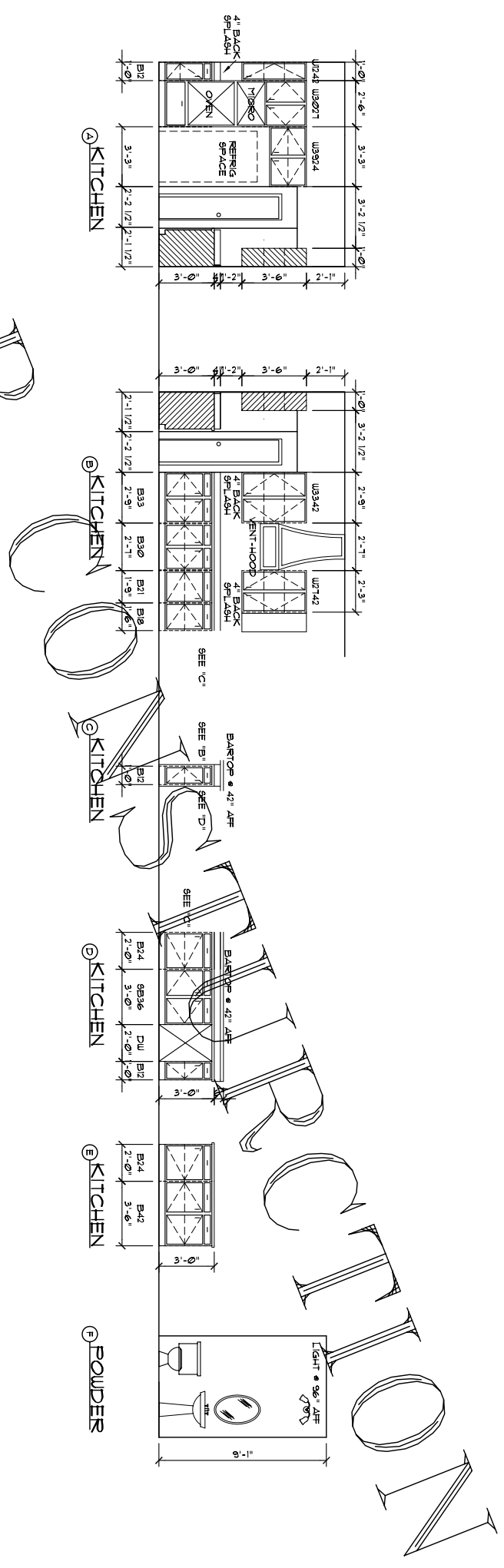


NOT



CABINET DETAILS

SCALE: 1/8"=1'-0" 24x36 1/4"=1'-0"



NOT

DATE:	06/11/06
DRAWN BY:	JAW
CHECKED BY:	ERM
DWG NO.	2815
PLAN NO.	2815

REVISIONS:	NONE
------------	------

PREPARED FOR:	
---------------	--

PREPARED BY:

3401 CUSTER ROAD SUITE 116
PLANO, TX. 75023
PHONE: 972.943.1266
FAX: 972.943.1162
WWW.WORKINGDRAWINGS.NET

An architectural services company